

LBD3904-L Cabinet loudspeaker 6W, corner, white



- ▶ Good speech intelligibility and background music reproduction
- ▶ Special shape for mounting in corners
- ▶ MDF construction

The LBD3904-L is a 6 W, general-purpose cost-effective loudspeaker for indoor use. Two brackets with keyholes, fixed on one side provide quick and easy mounting in corners between two walls, or between a wall and ceiling.

Functions

The robust, solid MDF (Medium Density Fiber board) enclosures are covered with a durable, easy-to-clean white vinyl. The ABS fronts are covered with fine woven cloth in matching color.

The loudspeaker has been tested for operation at rated power for 100 hours in accordance with IEC 268-5 Power Handling Capacity (PHC) standards.

Installation/configuration notes

Two keyhole brackets at one side of the cabinet are provided for easy and quick wall mounting.

The other side of the cabinet is provided with two bushes for absorbing unwanted vibrations and secure mounting.

A convenient easy-to-use, 4-pole push-in terminal block is present on the side for on-site wiring.

This terminal block has provision for power tapping on the 100-volt, matching transformer in the cabinet. It allows selection of nominal full-power, half-power or quarter power radiation (in 3 dB steps).

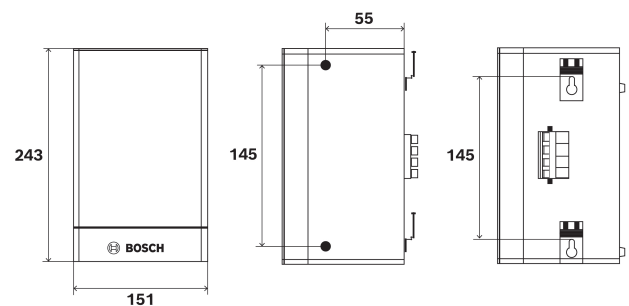


Fig. 1: Dimensions in mm

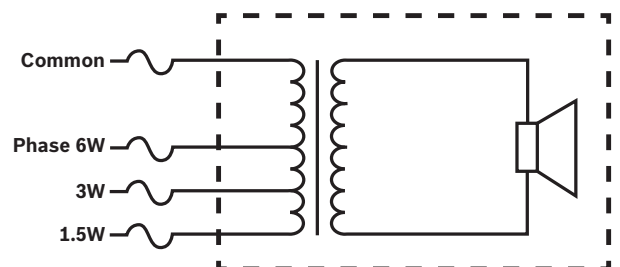


Fig. 2: Circuit diagram

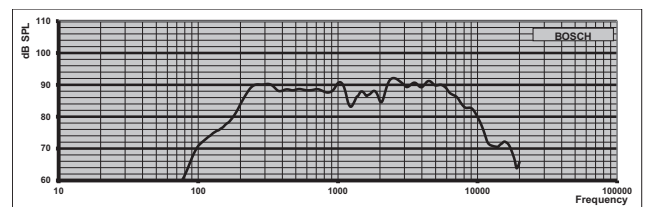


Fig. 3: Frequency response LBD3904-L

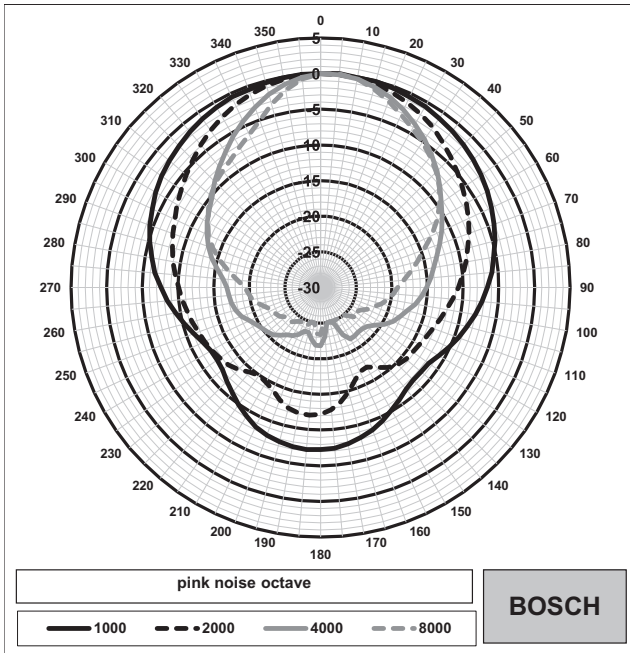


Fig. 4: Normalized polar plot LBD3904-L

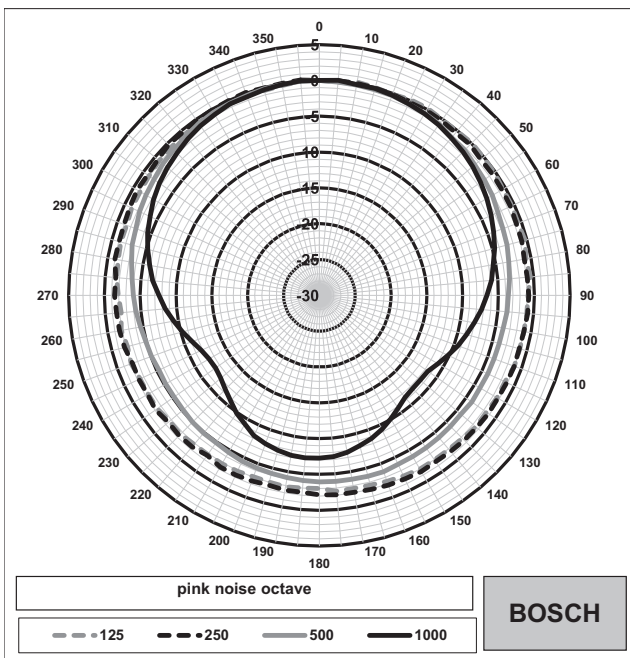


Fig. 5: Normalized polar plot LBD3904-L

Octave band sensitivity*

	Octave SPL 1W/1m	Total octave SPL 1W/1m	Total octave SPL Pmax/1m
125 Hz	74.7	-	-
250 Hz	88.7	-	-
500 Hz	88.0	-	-
1000 Hz	88.3	-	-

2000 Hz	89.3	-	-
4000 Hz	90.0	-	-
8000 Hz	85.4	-	-
A-weighted	-	85.8	93.3
Lin-weighted	-	86.4	93.9

(1/1)th octave band sensitivity

Octave band opening angles

	Horizontal	Vertical	
125 Hz	360	360	
250 Hz	360	360	
500 Hz	360	360	
1000 Hz	166	166	
2000 Hz	111	111	
4000 Hz	73	73	
8000 Hz	63	63	

Acoustical performance specified per octave. LBD3904-L * (all measurements are done with a pink noise signal; the values are in dB SPL).

Parts included

Quantity	Component
1	LBD3904-L Cabinet loudspeaker 6W, corner, white

Technical specifications

Electrical

Rated power	6 W (6 W / 3 W / 1.5 W)
Sound pressure level at 6 W / 1 W (1 kHz, 1 m)	93.3 dB / 85.8 dB (SPL)
Effective frequency range	150 Hz to 15 kHz
Opening angle horizontal at 1kHz / 4kHz (-6dB)	166° / 73°
Opening angle vertical at 1kHz / 4kHz (-6dB)	166° / 73°
Rated impedance	1667 ohm
Rated input voltage	100 V

Connector	4-pole push-in terminal
-----------	-------------------------

Mechanical

Dimensions (H x W x D)	243 mm x 151 mm x 131 mm
Weight	1.2 kg
Color	White

Environmental

Operating temperature	-5 °C to +55 °C
Storage temperature	-40 °C to +70 °C

Ordering information

LBD3904-L Cabinet loudspeaker 6W, corner, white
Cabinet loudspeaker 6 W, MDF enclosure, finished in white, with two brackets for corner mounting.
Order number **LBD3904-L | F.01U.294.071**

Represented by:

Europe, Middle East, Africa:
Bosch Security Systems B.V.
P.O. Box 80002
5600 JB Eindhoven, The Netherlands
www.boschsecurity.com/xc/en/contact/
www.boschsecurity.com

Germany:
Bosch Sicherheitssysteme GmbH
Robert-Bosch-Platz 1
D-70839 Gerlingen
www.boschsecurity.com

North America:
Bosch Security Systems, LLC
130 Perinton Parkway
Fairport, New York, 14450, USA
www.boschsecurity.com

Asia-Pacific:
Robert Bosch (SEA) Pte Ltd, Security Systems
11 Bishan Street 21
Singapore 573943
www.boschsecurity.com/xc/en/contact/
www.boschsecurity.com