

# Indoor IR Dome Camera, PAL

www.boschsecurity.com



**BOSCH**  
Invented for life



- ▶ Excellent resolution (700 TVL sensor)
- ▶ Clean images under variable light
- ▶ Easy install
- ▶ Integrated IR LEDs

The VDI-231 and VDI-261 cameras are compact, stylish surveillance domes with integrated IR illumination, offering excellent resolution in variable lighting conditions. The high performance 1/3-inch CCD camera is available with a 3.6 mm fixed lens, or a 2.8 to 12 mm varifocal lens with integrated day/night filter.

The camera is easy to install and can be adjusted around 3 axes. Privacy zones and motion detection functions can be set up in the handy camera menu system.

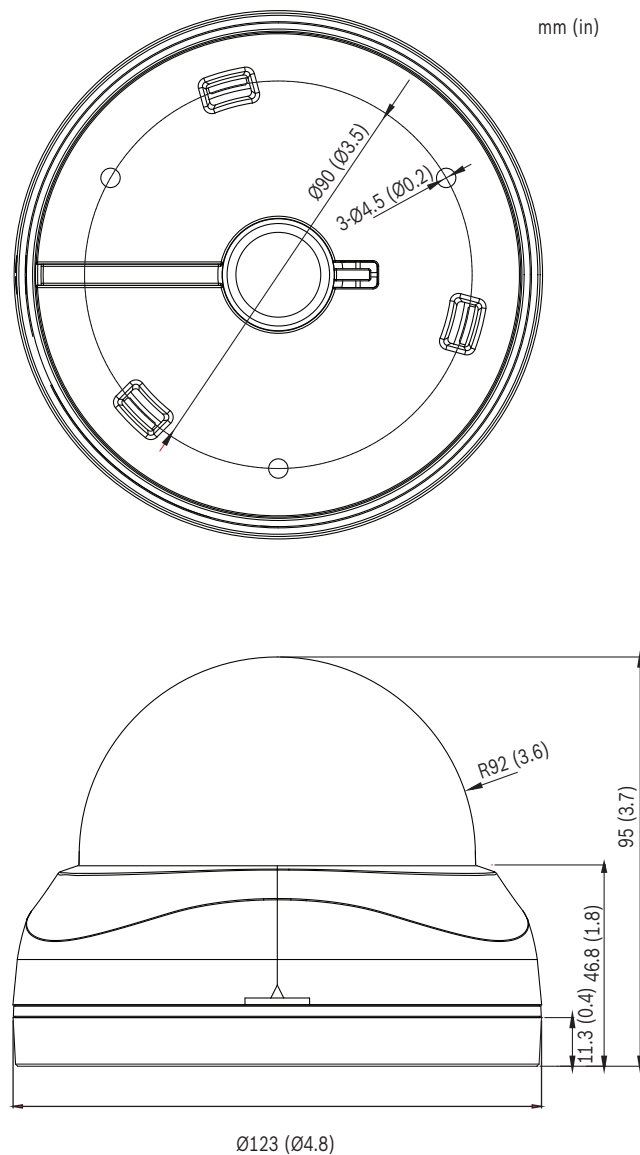
## Certifications and approvals

### Standards

FCC Part 15:2013
EN61000-3-2:2014
EN61000-3-3:2013
EN55024:2010
EN50130-4:2011
EN55022:2010

	EN60950-1:2006 + A11:2009 + A1:2010 + A12:2011 + A2:2013
	UL 60950-1, 2nd Edition. 2014-10-14
	CAN/CSA-C22.2 No. 60950-1-07, 2nd Edition, 2014-10
	C-tick
Region	Certification
Europe	CE VDI 231_VDI261

## Installation/configuration notes



## Technical specifications

System	PAL
Effective pixels (H x V)	752 x 582
Image Sensor	1/3-inch High sensitivity CCD
Video Output	Composite: 1 Vpp, 75 Ohm
Sync. System	Internal sync., Line-lock
S/N Ratio (sharpness, AGC off)	>50 dB min.
Horizontal resolution	700 TVL
Minimum Illumination (F2.0, 30IRE, AGC max.)	0.05 lx (color) 0.005 lx (B/W) 0.00 lx (IR LED on)
ESC	1/50 - 1/120,000

Manual Shutter	1/50(60), 1/100(120), 1/250, 1/500, 1/700, 1/1k, 1/1.6K, 1/2.5K, 1/5K, 1/7K, 1/10K, 1/30K, 1/60K, 1/120K
DNR	Off, Low, Middle, High
White Balance	ATW, Manual, Push
SBLC	Off, Low, Middle, High
AGC	On, Off
Day/Night	Auto, Color, B/W, Ext.
Burst	On, Off
Motion detection	On, Off (4 programmable zones)
Privacy	On, Off (4 programmable zones)
Mirror	On (horizontal), Off
Sharpness	1 - 20
Gamma	0.35, 0.45, 0.6, 0.75
OSD language	English, Chinese
Lens type (VDI-231)	Fixed Lens (f = 3.6 mm)
Lens type (VDI-261)	DC Iris Varifocal Lens (f = 2.8 to 12 mm)
IR illumination (VDI-231)	28 IR LEDs (850 nm, 45°)
IR illumination (VDI-261)	18 IR LEDs (850 nm, 45°)
IR range	15 m
Supply Voltage	12 VDC (±10%)
Power Consumption	4.8 W max. / 0.4 A
Operating Temperature	-10 °C to +50 °C (14 °F to +122 °F)
Operating Humidity	30% to 80% RH
Storage Temperature	-20 °C to +60 °C (-4 °F to +140 °F)
Storage Humidity	20% to 90% RH

## Ordering information

**Indoor IR D/N Dome Camera, 2.8 to 12 mm lens**

Compact analog IR dome surveillance camera with excellent resolution in varying light. 12VDC; 700 TVL; PAL; 2.6 to 12 mm variable lens  
Order number **VDI-261V03-10**

**Indoor IR D/N Dome Camera, 3.6 mm lens**

Compact analog IR dome surveillance camera with excellent resolution in varying light. 12VDC; 700 TVL; PAL; 3.6 mm fixed lens  
Order number **VDI-231F04-10**

---

**Accessories**

**VDA-WMT-AIDOME Indoor Wall Mount**

Indoor wall mount

Order number **VDA-WMT-AIDOME**

---

**VDA-PMT-AIDOME Indoor Pipe Mount**

Indoor pendant pipe mount for dome cameras (use together with the appropriate adapter bracket)

Order number **VDA-PMT-AIDOME**

---

**VDA-CMT-PTZDOME Corner Mount Adapter**

Corner mount adapter for use with the appropriate wall mount to attach a camera onto an indoor or outdoor pole (mast)

Order number **VDA-CMT-PTZDOME**

---

**LTC 9213/01 Pole Mount Adapter**

Flexible pole mount adapter for camera mounts (use together with the appropriate wall mount bracket). Max. 9 kg (20 lb); 3 to 15 inch diameter pole; stainless steel straps

Order number **LTC 9213/01**

---

**Represented by:**

**North America:**

Bosch Security Systems, Inc.  
130 Perinton Parkway  
Fairport, New York, 14450, USA  
Phone: +1 800 289 0096  
Fax: +1 585 223 9180  
security.sales@us.bosch.com  
www.boschsecurity.us

**Europe, Middle East, Africa:**

Bosch Security Systems B.V.  
P.O. Box 80002  
5617 BA Eindhoven, The Netherlands  
Phone: + 31 40 2577 284  
Fax: +31 40 2577 330  
emea.securitysystems@bosch.com  
www.boschsecurity.com

**Asia-Pacific:**

Robert Bosch (SEA) Pte Ltd, Security Systems  
11 Bishan Street 21  
Singapore 573943  
Phone: +65 6571 2808  
Fax: +65 6571 2699  
apr.securitysystems@bosch.com  
www.boschsecurity.asia

**China:**

Bosch (Shanghai) Security Systems Ltd.  
203 Building, No. 333 Fuquan Road  
North IBP  
Changning District, Shanghai  
200335 China  
Phone +86 21 22181111  
Fax: +86 21 22182398  
www.boschsecurity.com.cn

**Latin America and Caribbean:**

Robert Bosch Ltda Security Systems Division  
Via Anhanguera, Km 98  
CEP 13065-900  
Campinas, Sao Paulo, Brazil  
Phone: +55 19 2103 2860  
Fax: +55 19 2103 2862  
latam.boschsecurity@bosch.com  
www.boschsecurity.com